

FAST

The Fast Translator

- ✎ Insta3D exchange uses algorithms that are **Parallel Processed**
- ✎ It leverages the processing power of **Multiple Cores** and gives you results fast, really fast

ACCURATE

The Accurate Translator

- ✎ Insta3D exchange re-computes the p-curves to ensure that you get a good model every time
- ✎ Our healing algorithms make it easy to work with bad data as well

CONVENIENT

The Convenient Translator

- ✎ Insta3D exchange is extremely easy to integrate with your application
- ✎ Insta3D Exchange offers you flexible licensing schemes to suit your business needs

Insta3D Exchange Benefits

- ✎ Extremely fast translators powered by Parallel Processed Algorithms
- ✎ Quick and easy integration
- ✎ Flexible licensing schemes
- ✎ Allows you to focus on your core application
- ✎ No dependency on any third party library

Auto Healing

Orientation Correction:

The orientation of faces is corrected to create consistent model.

Stitching:

The independent faces are stitched using a specified tolerance .









Sliver faces removal:

This removes very sliver faces from imported b-rep model.

Seam shifting:

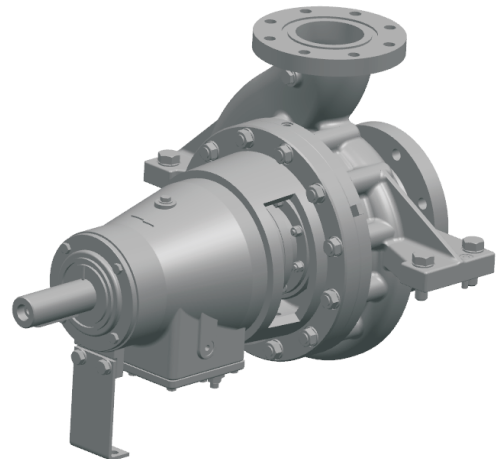
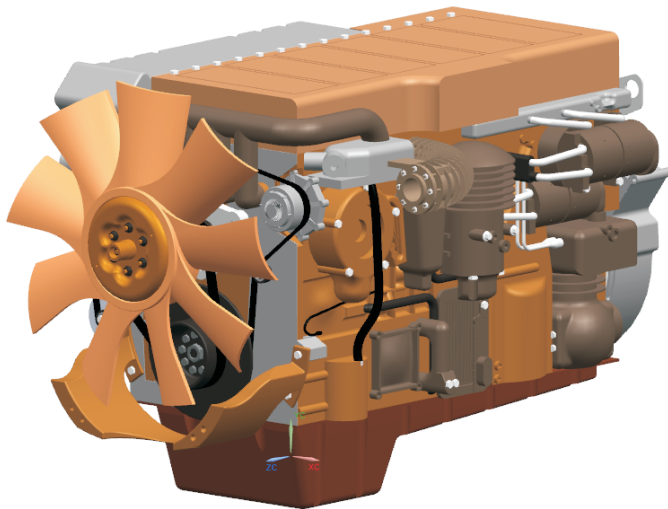
This is used to create a valid and single face from face having 3D curves which crosses seam of face.

Technical Features

-  Tessellated data for visualization
-  Precise BREP data for your application
-  Complete product structure
-  Special Healing to work with bad data
-  Object Oriented code developed in C++
-  Supports AP203 / AP214 STEP formats
-  Available as Win32 and Win64 bit libraries
-  Metadata and attributes like color etc

Cloud Ready Architecture

Insta3D Core has built in Cloud Ready Architecture and can be easily hosted on the cloud to be accessed by your Cloud based applications.



Download Now



Our STEP/IGES viewer powered
by Insta3D Exchange

Evaluation Version

For evaluation version or more information please write to contact@pre-scient.com.